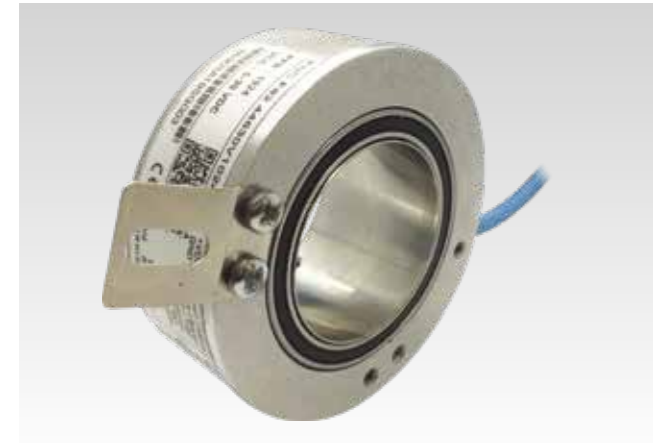


# Incremental encoders

Resolution 1024...8192 pulses



## FNC F82 Series



### Features

- Special 80 mm design, through hollow shaft
- Robust mechanical and electrical construction
- Protection up to IP67
- Up to 8192 PPR max.
- <300 kHz frequency

### PPR Options :

1024 - 2000 - 2048 - 4000 - 4096 - 8000 - 8192

### Technical data - electrical ratings

Voltage supply	4.75VDC to 30VDC 4.75VDC to 5.5VDC
Protection:	Output short circuit protection. Reverse polarity protection ( except 5V version )
Consumption w/o load	≤60 mA (24 VDC)
Resolution (steps/turn)	1024...8192
Reference signal	Zero pulse, width 90° 180°, 360° optional
Optoelectronic life time	100.000 (min)
Output frequency	<300 kHz
Output signals	90° shifted A and B, Z + inverted
Output circuit	Linedriver/RS422 Push-pull short-circuit proof NPN Open Collector
Interference immunity	DIN EN 61000-6-2
Emitted interference	DIN EN 61000-6-4
Approval	CE

### Technical data - mechanical design

Dimensions (flange)	ø80 mm
Shaft loading	≤140 N axial ≤240 N radial
Protection DIN EN 60529	IP54, IP65
Operating speed	≤10000 rpm
Starting torque	≤0.025 Nm (IP 67)
Materials	Housing: Stainless steel Flange: Stainless steel Shaft : Stainless steel
Shaft diameter:	38, 40, 42, 44 mm ( other diameters on request )
Bearings lifetime:	2x10 <sup>9</sup> rev. at 100% of full rated shaft load (minimum)
Operating temperature	-20...+85 °C
Storage temperature	-30 °C up to +90 °C
Weight approx.	300 g

### Accessories

**Connectors and cables**  
CRM1208 M12 8 poles female connector or see page 160

**Mounting coupling**  
See page 158

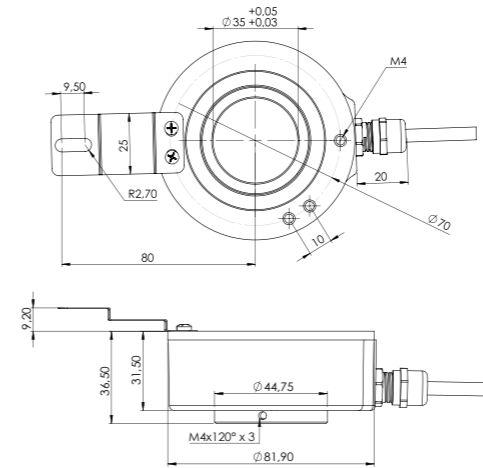
**Mounting accessories**  
KLM spring or see page 156-157

# Incremental encoders

Mechanical Dimensions  
Cable/Connector Wiring, Part Number

## FNC F82 Series

### Mechanical Dimensions

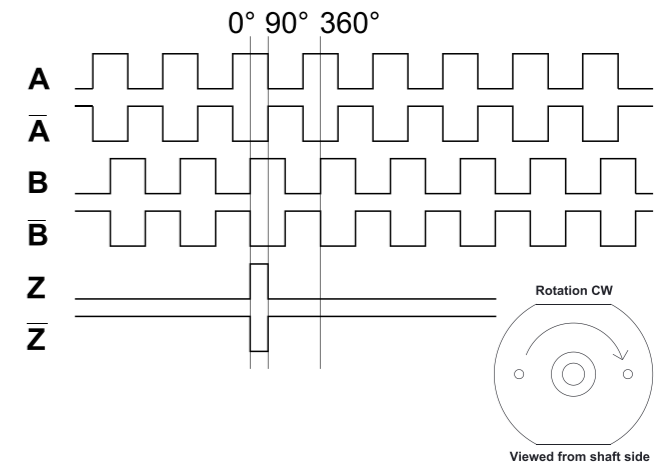


### Connector Wiring

Connector Type	+Vcc	GND	A	A'	B	B'	Z	Z'	Shield
CRM1204	1	2	3		4				o.r.
CRM1205	1	2	3		4		5		o.r.
CRM1208	1	2	3	6	4	7	5	8	o.r.
CRM1212	1	2	3	6	4	7	5	8	o.r.
CRM1607	1	2	3		4		5		o.r.
CRM1614	Customer Specific								o.r.
CRM2312R	2-12	10-11	5	6	8	1	3	4	o.r.
CRM2312L	2-12	10-11	5	6	8	1	3	4	o.r.

For further information please see page 160

### Pulse Diagram



### Cable Wiring

Function	Color	Renk	Explanation
+VB	Brown	Kahve	Supply Voltage
GND	White	Beyaz	Ground
A	Green	Yeşil	A Channel
A'	Red	Kırmızı	A Inverted Channel
B	Yellow	Sarı	B Channel
B'	Pink	Pembe	B Inverted Channel
Z	Gray	Gri	Z Channel
Z'	Blue	Mavi	Z Inverted Channel
Shield	Black	Siyah	Shield

### Encoder Part Number

